

on the right track
systems, inc

Installation Guide

Installation Introduction

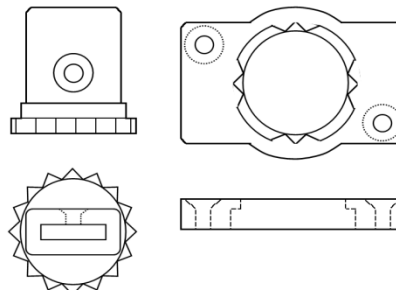
The On The Right Track system is a very versatile system, it can be installed several different ways and on various ceiling types.

Here are the installation types that you might encounter and the respective install instructions for each:

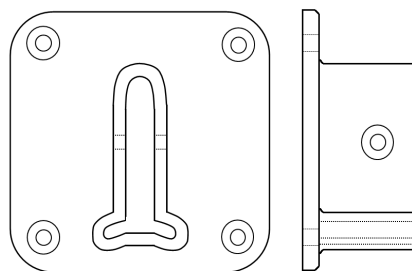
- See all of the Parts - Page 1-5
- 15/16th Grid acoustical Ceiling - Page 6-7
- 9/16th Grid acoustical Ceiling - Page 8
- Gypsum board (drywall/hard Ceiling) - Page 9
- Attaching the Hangers - Page 10
- Wall mounts - **Page 11**
- Connection Track - Page 12
- Track End Connections - Page 13
- Using Extensible Tubing - Page 14
- Retro Fit Installing in the Existing rail Page 15
- Track Detail - Page 16

Chapter 1: parts glossary

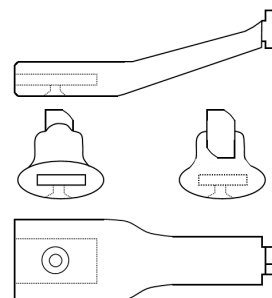
Part # OPTS-S02
Swivel Clip with Drop
Ceiling Grid Mounting Plate



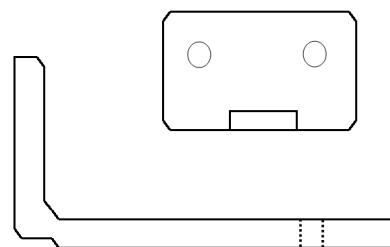
Part # OPTS-C02
End Wall Plate



Part # OPTS-E02
Hanger & Track Connector

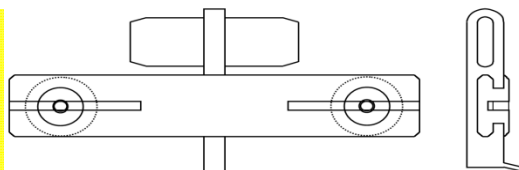


Part # OPTS-Q02
Room Divider Wall Mount



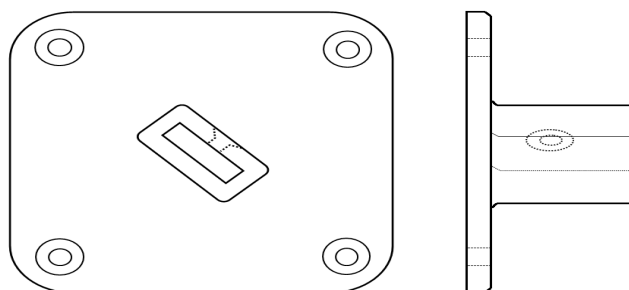
Chapter 1: parts glossary

Please Note: some earlier versions of the FO2 have 4 screw holes. ONLY 2 SCREWS ARE REQUIRED. One on each side

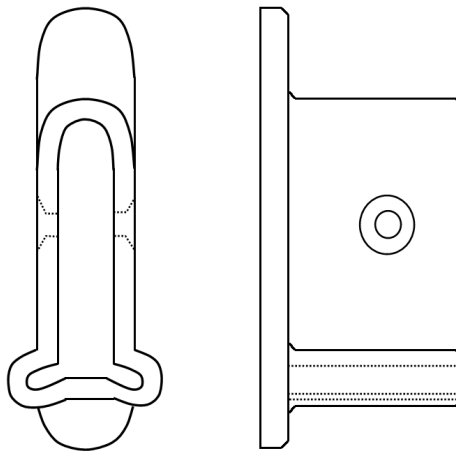


**Part # OPTS-F02
Track Connector**

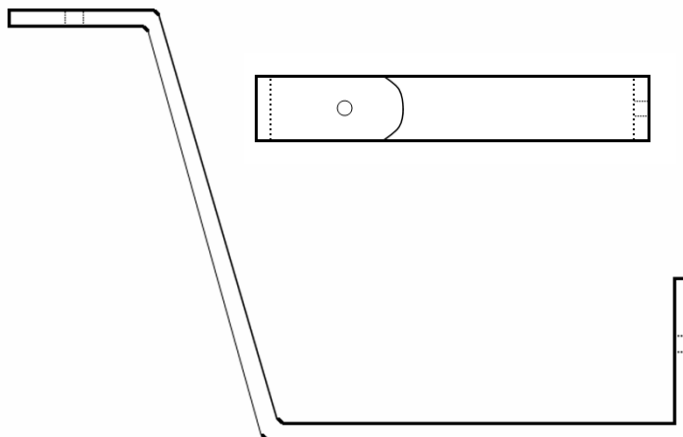
**Part # OPTS-B02
Hard Ceiling Mounting Plate**



**Part # OPTS-M02
End Cap**

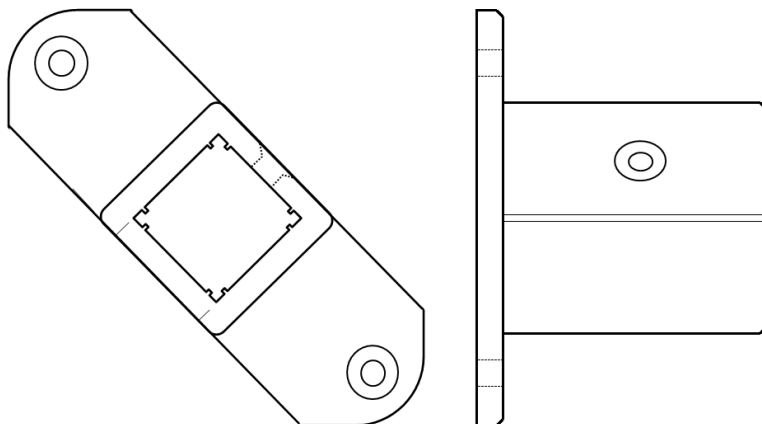


**Part # OPTS-G02
Hanger**

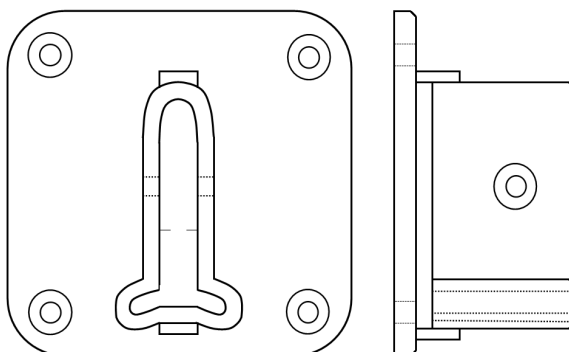


Chapter 1: parts glossary

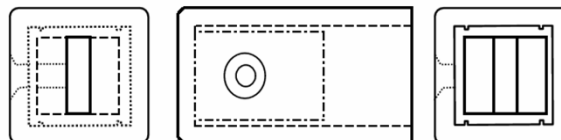
**Part # OPTS-P02
Ceiling Vertical Mount Plate**



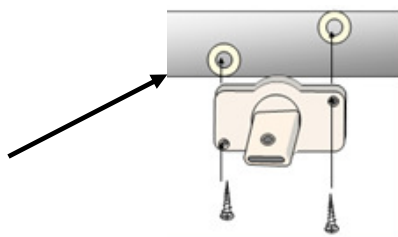
**Part # OPTS-D02
Swivel Wall Plate**



**Part # OPTS-D02
Hanger & Tube Connector**



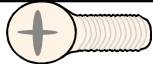
Part # O-Spacers



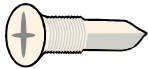
Chapter 1: parts glossary



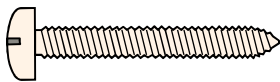
**Part # set screw
OPTS-S102
5/32"x8mm**



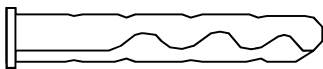
**Part # set screw
OPTS-S602
5/32"x13mm**



**Part # OPTS-S302
5/32"x13mm self tap screw**



**Part # OPTS-S402
5/32"x1-1/4" mount screw**

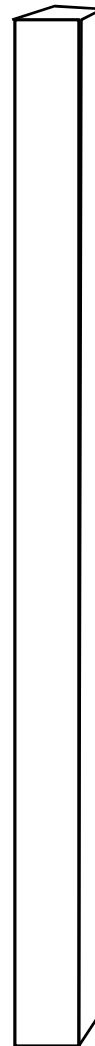
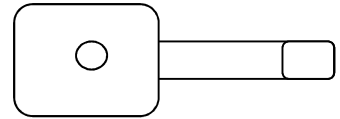


**Part # OPTS-S802
Plastic Anchor**



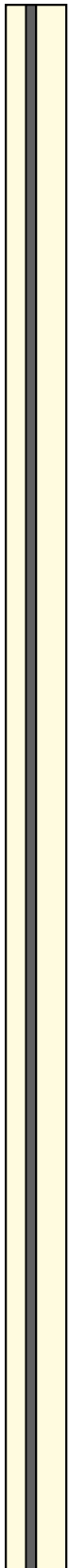
**Part #
OPTS-S902-1 (5/32 x 1"
5/32"x 3/4" self tap screw**

**Part # Curtain
Stopper OPTS U02**

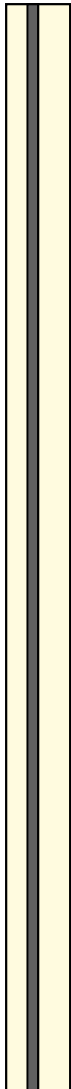


**Part # OPTS-J02
Extensible Square Tube**

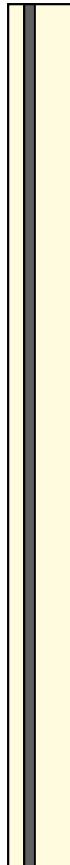
Chapter 1: parts glossary cont.



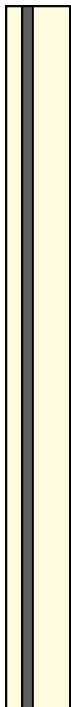
Part # OPTS-H802
180° 8 Ft Track



Part # OPTS-H502
180° 5 Ft Track



Part # OPTS-H402
180° 4 Ft Track



Part # OPTS-H302
180° 3 Ft Track

Curved Track part numbers*

Part # OPTS-K102
90° 1 Ft Radius Track

Part # OPTS-K1R02
90° Reversed 1 Ft Radius Track

Part # OPTS-K202
90° 2 Ft Radius Track

Part # OPTS-K2R02
90° Reversed 2 Ft Radius Track

Part # OPTS-L102
135° 1 Ft Radius Track

Part # OPTS-L1R02
135° Reversed 1 Ft Radius Track

Part # OPTS-L202
135° 2 Ft Radius Track

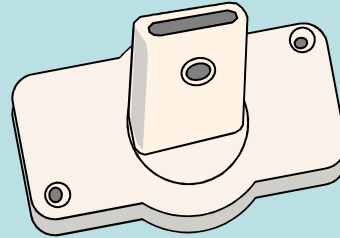
Part # OPTS-L2R02
135° Reversed 2 Ft Radius Track

*Contingent on Installation needs

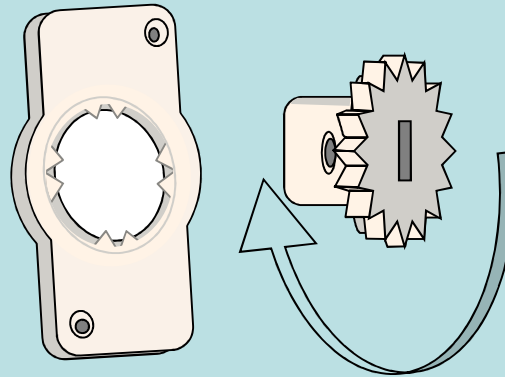
Special Installation Instructions

15/16th Drop Ceiling Grid Mount

The “Drop Ceiling Grid Mount” is a two piece mount. The center of the mount can be positioned and locked in place prior to attaching to drop ceiling grid work.

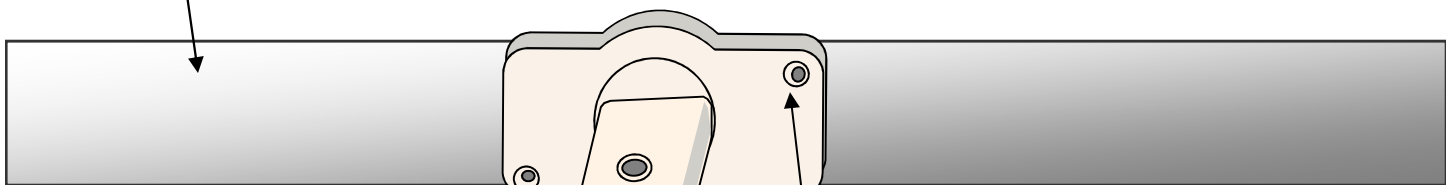


The center of the mount can be placed in one of 8 positions to accommodate installment needs.



Swivel Clips should be secured 24” apart. This also allows the grabber enough space to remove and replace curtains. Please remember that if the track is secured with a wall plate then a ceiling support is not needed.

15/16th Drop ceiling grid.



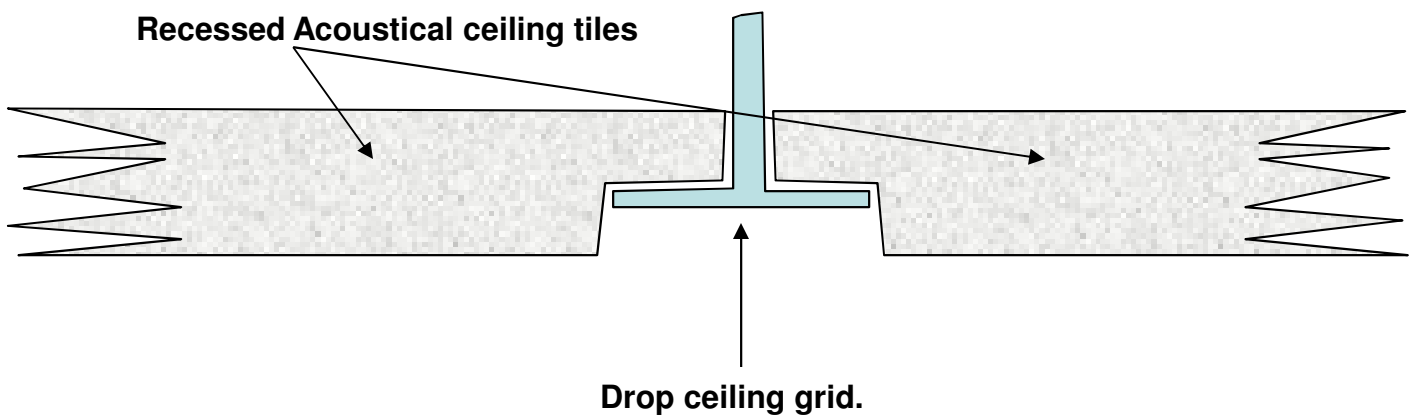
Use the **OPTS S902** screws to attach to ceiling grid.



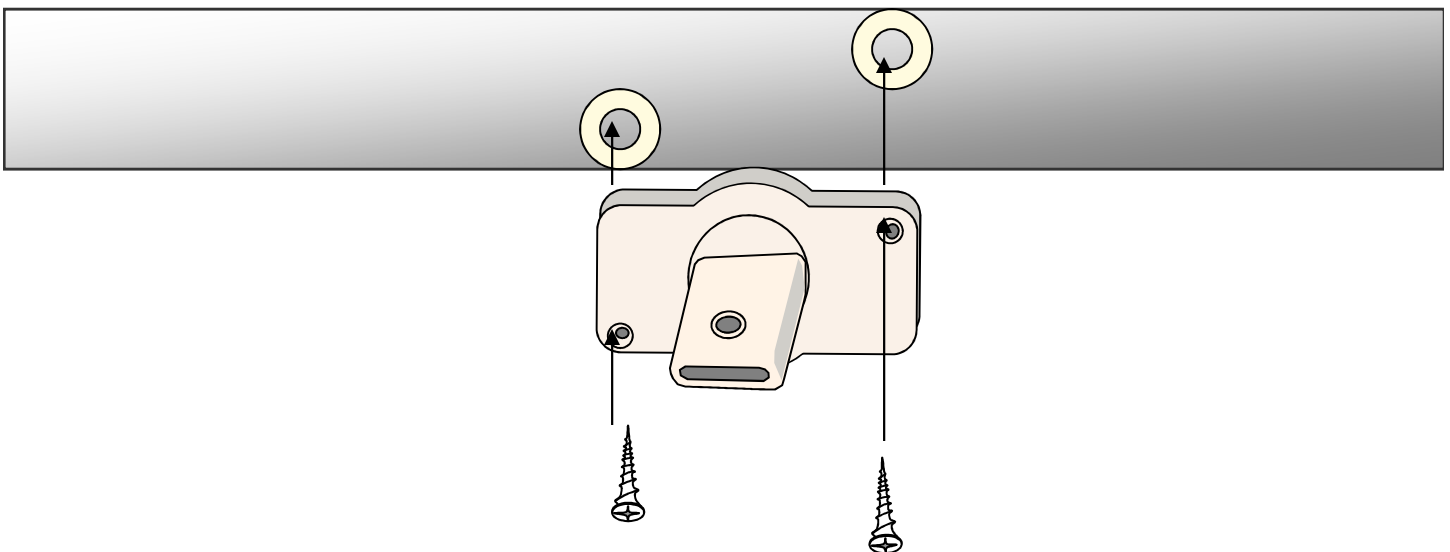
Special Installation Instructions

Drop Ceiling Grid Mount with **RECESSED** tiles.

In some cases, it may be necessary to use spacers under the each swivel clip due to the use of recessed tiles.



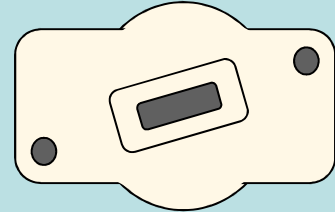
Nylon spacers are available at most home improvement stores.



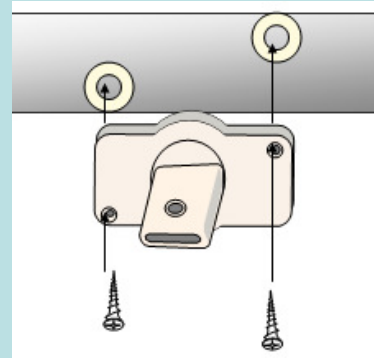
Special Installation Instructions

9/16th Inch Drop Ceiling Grid Mount

To install into the smaller 9/16th drop ceiling grid, be sure to line up the hanger slot with the screw holes of the swivel clip.

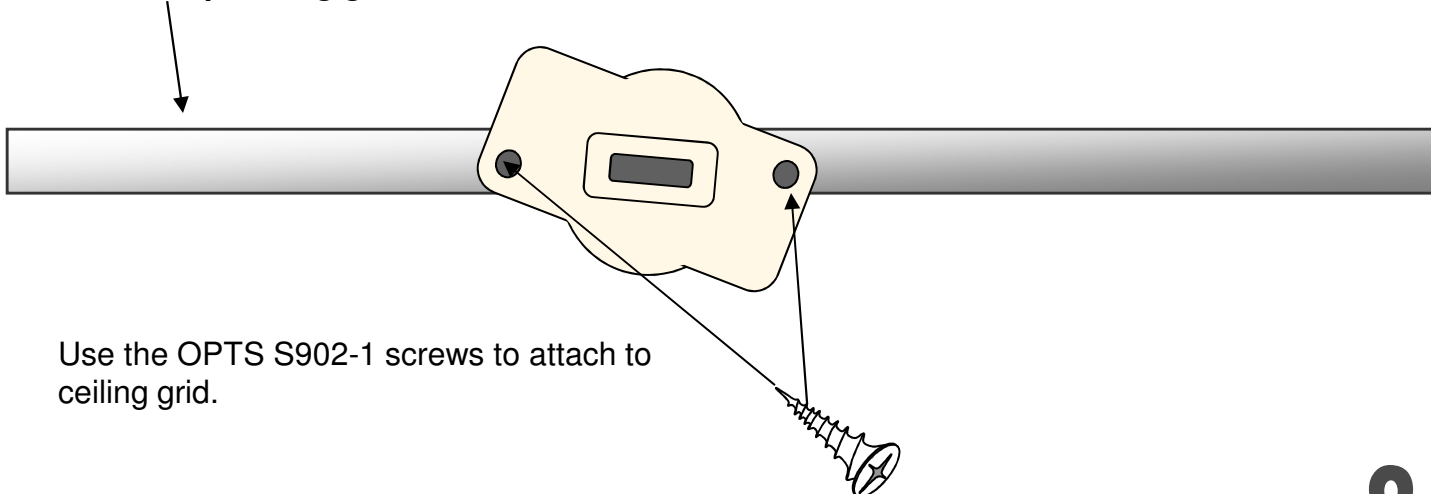


If the ceiling tiles are recessed, spacers will need to be used. Please refer to page 7.



Swivel Clips should be secured 24" apart. This also allows the grabber enough space to remove and replace curtains. Please remember that if the track is secured with a wall plate then a ceiling support is not needed.

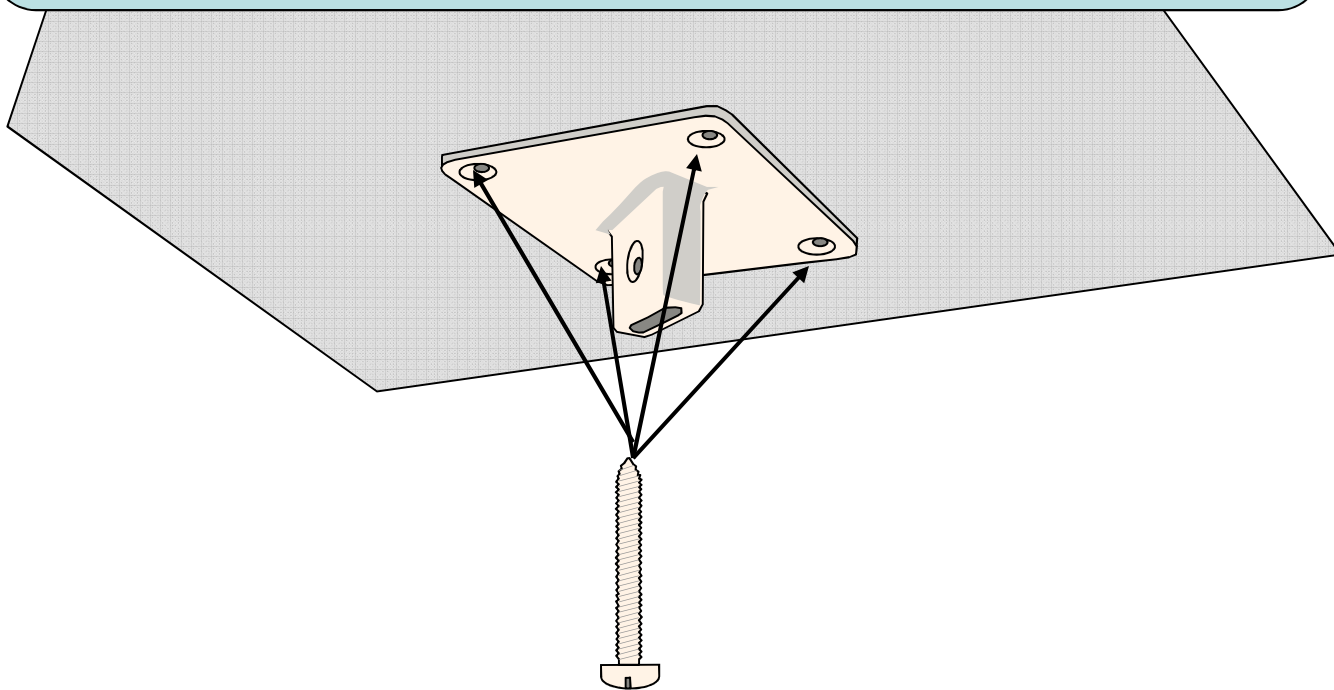
9/16th Drop ceiling grid.



Special Installation Instructions

Hard Ceiling Installation

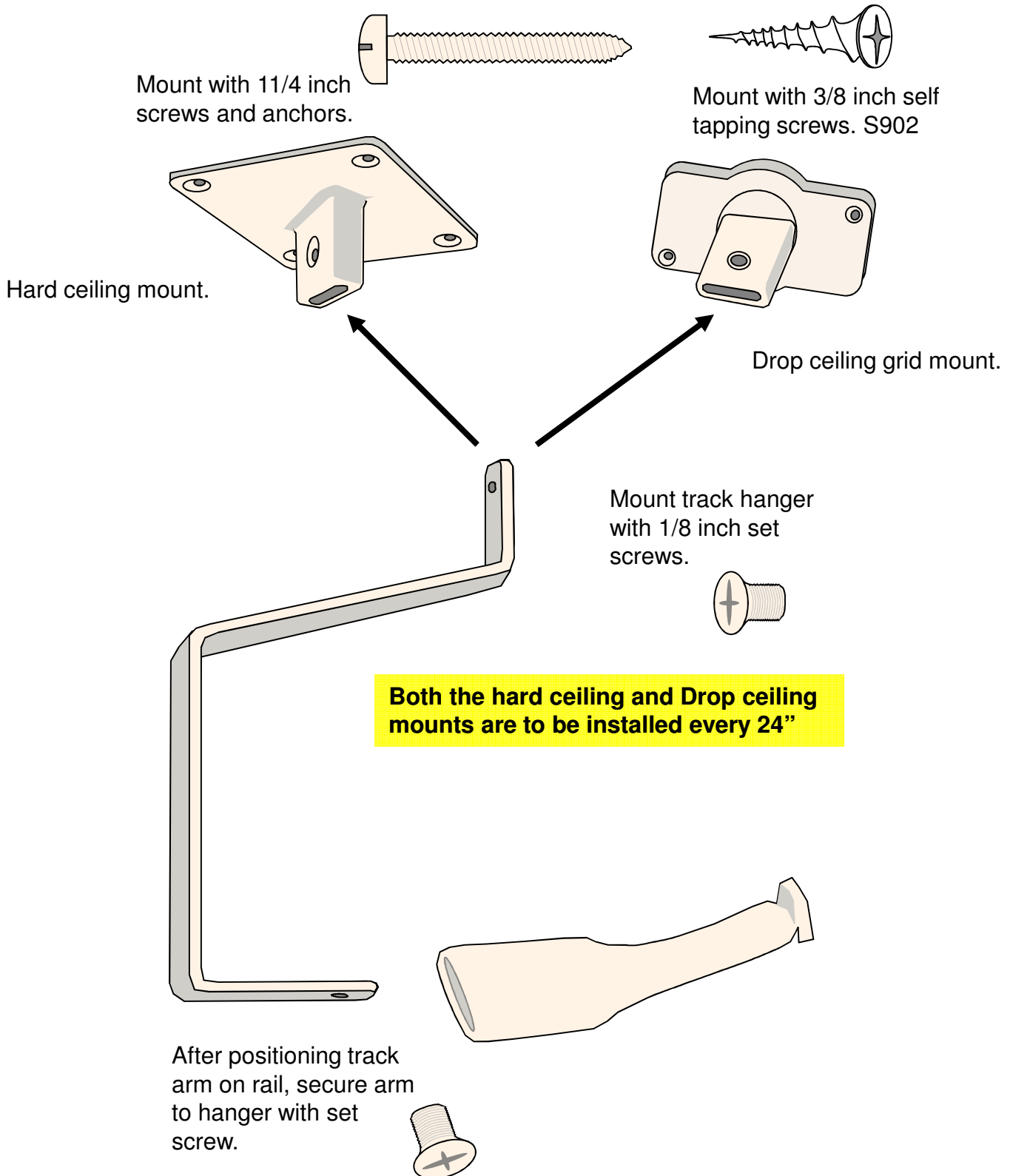
After determining location for hard ceiling mount plate, pre-drill 3/8" holes to accommodate plastic anchors. Insert anchors and secure with OPTS-S402 5/32"x1-1/4" mount screws



A laser level is very useful when laying out locations for the hard ceiling mount plates.

Installation Instructions

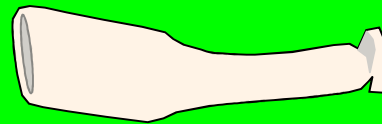
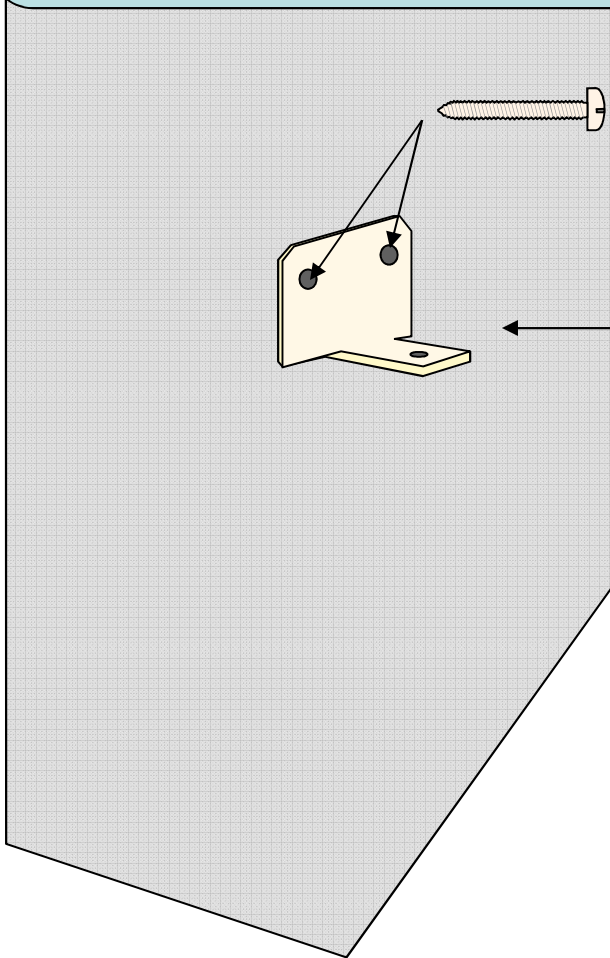
PARTS ASSEMBLY



Special Installation Instructions

Hard Ceiling Installation

After determining location for wall mounts, pre-drill 3/8" holes to accommodate plastic anchors. Insert anchors and secure with OPTS-S402 5/32"x1-1/4" mount screws



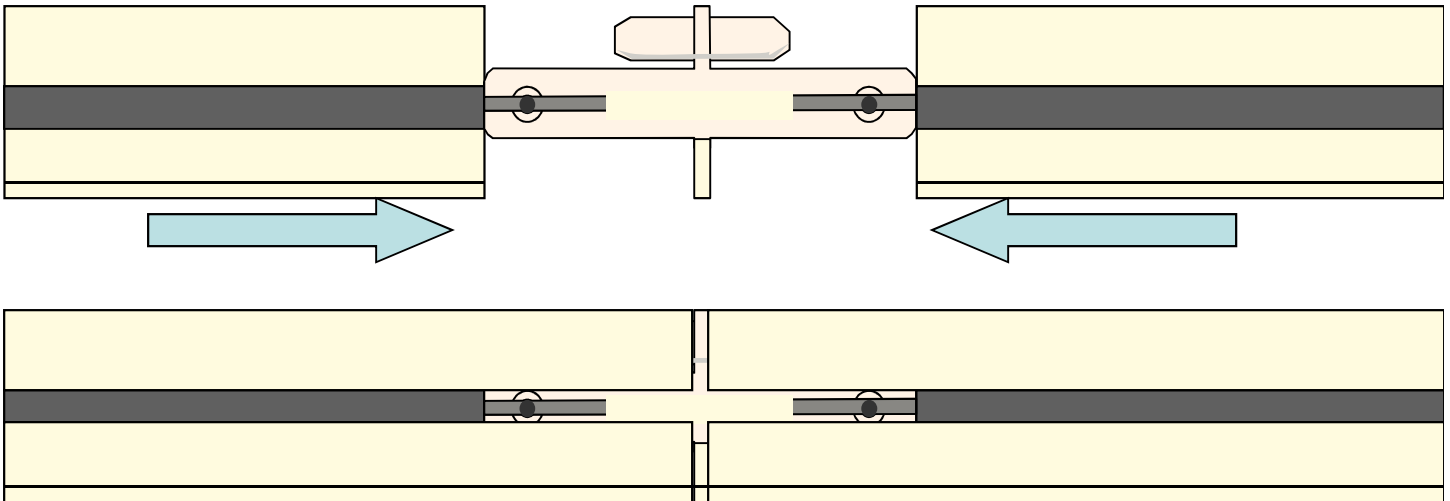
After the track and hanger connector has been inserted into the back of the track, slide onto the wall mount and secure with a OPTS-S102 set screw..

A laser level is very useful when laying out locations for the wall mount plates.

Installation Instructions

PARTS ASSEMBLY

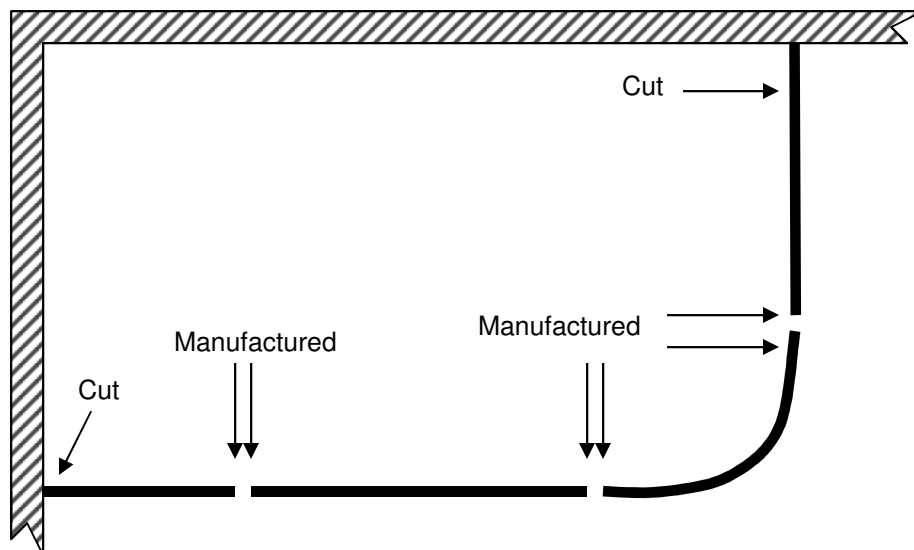
Join track pieces by sliding the **Track Connector** into each adjoining end of track.



Once the **Track Connector** is in place, secure with **Set Screws**.

SPECIAL NOTE: During the installation process it will become necessary to cut track to fit. Be sure to take care in cutting the end of the track that does not join to another track. Manufactured ends of track are ideal for joining with connector. Cut ends may be capped off at the end of the track using the **End Cap** or the **End Wall Plate**.

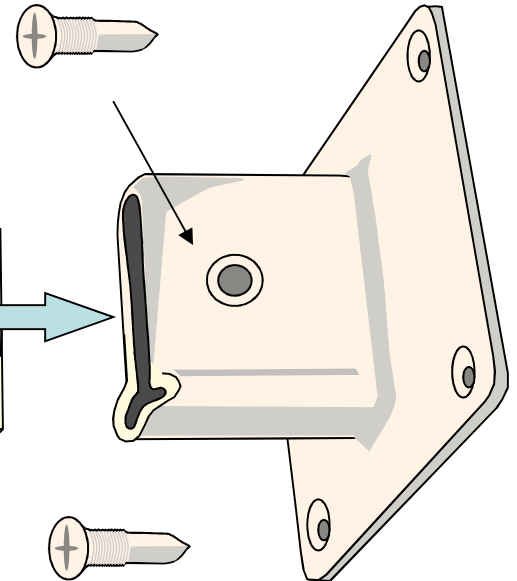
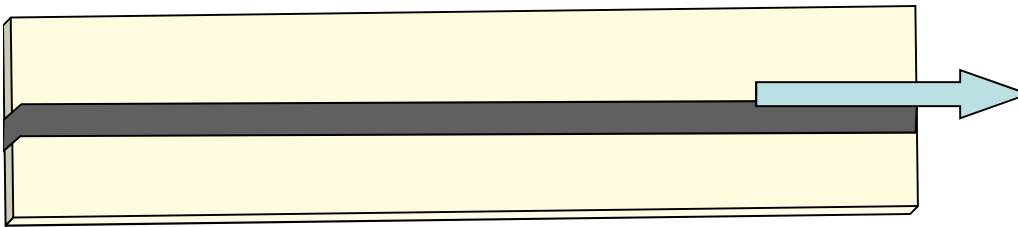
Example:



Installation Instructions

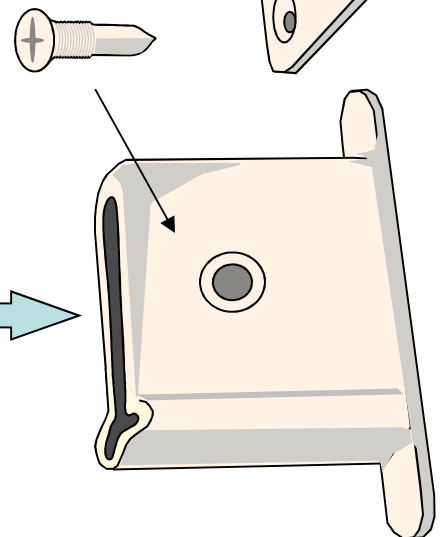
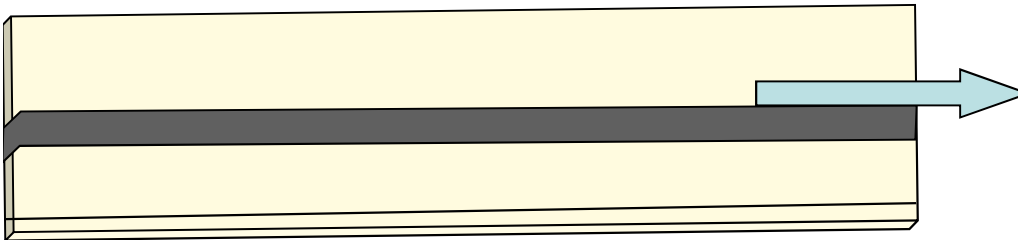
PARTS ASSEMBLY

To connect **End Wall Plates*** and **End Caps**, simply slide into place and secure with **Self Tap Screw**.

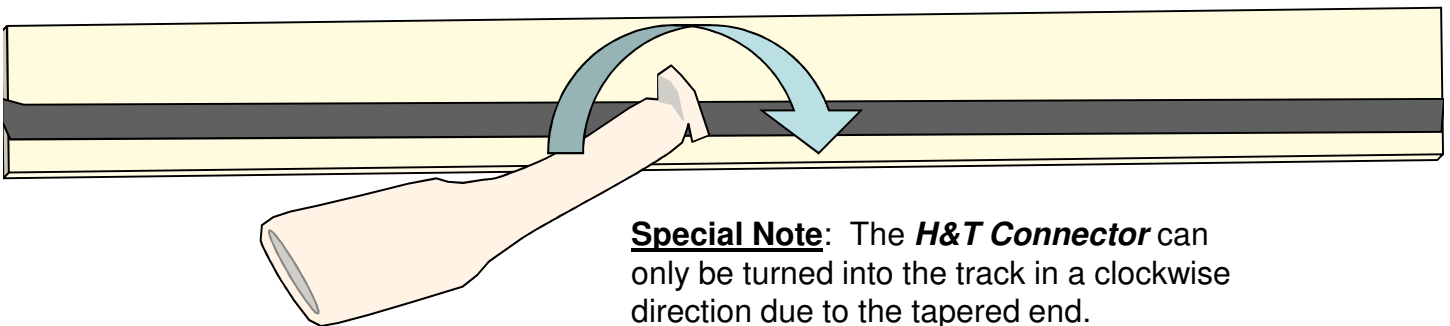


***Special Note:** Securing the **End Wall Plate** with the **Self Tap Screw** will be the last step in the entire installation.

(This does not apply to the **End Cap**, feel free to secure with **Self Tap Screw** after determining proper length of track.)



One of the final steps of installation involves placing the **Hanger & Track Connector**. Place the end of the **H&T Connector** into the groove on the back side of the Track and turn clockwise 1/4 turn. This will lock the **H&T Connector** into place. To reposition, simply reverse the process.

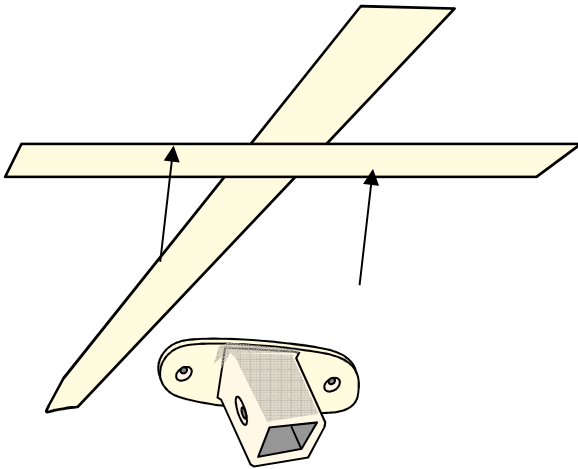


Special Note: The **H&T Connector** can only be turned into the track in a clockwise direction due to the tapered end.

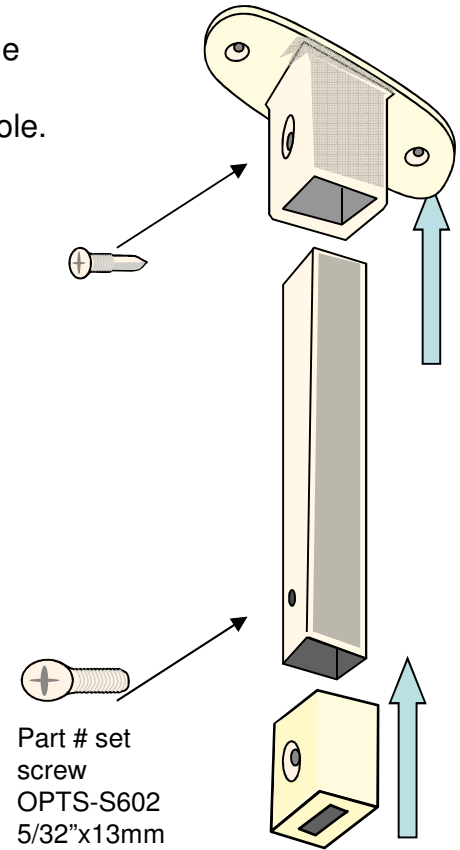
Installation Instructions

Extensible Tubes

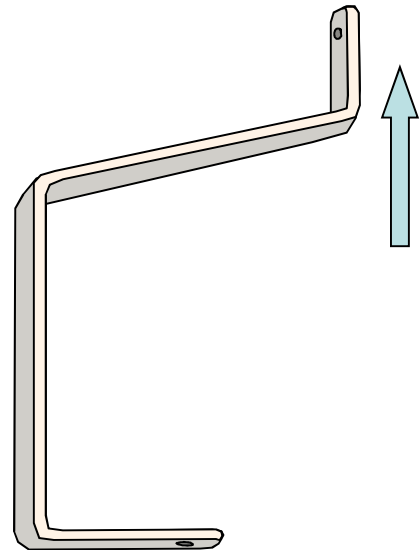
To connect **Extensible Tube** to the **Ceiling Vertical Mount Plate**, you may need a rubber mallet to completely insert the tube. **Do this before you attach the mount plate to the ceiling.** The mount plate is designed to taper so that once the tube has been completely inserted it will not flex. Be sure to insert cut end or end that **does not** have the manufactured hole.



Insert **Hanger** into **Tube/Hanger Connector** and secure with long set screw.



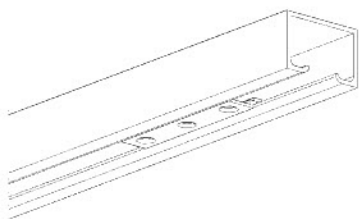
Special Note: Extensible tubes can be used to drop the rail up to 18".



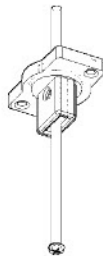
Installation Instructions

“Retro Fit” Into Existing Rail

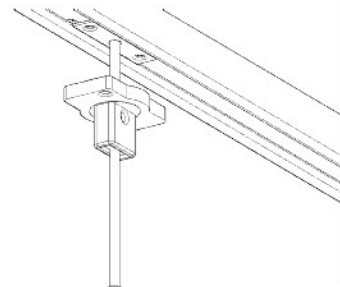
The Swivel clip can be installed directly into the existing track using the T02 track Adapter. This track adapter is designed to fit in most rail. In some cases very thin rail will not work with the track adapter



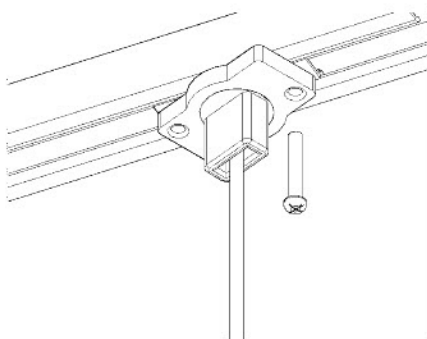
1. To insert the track adapter (T02) into the track



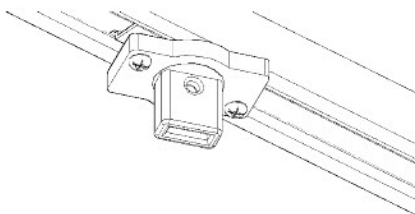
2. To insert the S702 screw from the middle of Swivel (S02)



3. To connect S02 and T02 by insert S702 screw into the center screw hole of T02 , to fix the position of T02 on the track.



4. To connect S02 and T02 by insert 2 pieces S602



5. Take off the S702 screw

MATERIAL	Extruded Aluminum
FINISH	White Baked Enamel
BENDS	All bends shall be between 12" and 24" radius up to 90 degrees
CONNECTORS	Extruded aluminum hangar and nylon assembly parts.

**0174RT
Track Detail**

OPTS-E02

OPTS-F02

OPTS-G02

OPTS-S02 OPTS-B02

OPTS-M02 OPTS-C02

ARCHITECT		DATE	
CONTRACTOR		DATE REV	
DISTRIBUTOR		DRAWN BY	
PROJECT		JOB #	
		SHEET	16